



Post Installation Guide

A step-by-step
guide for your
Post and Rail
Fencing System.



Welcome!

Thank you for choosing AcreLine Post & Rail Fencing. Designed and manufactured to perform in Australian conditions, our fencing system will provide you with years of strength, simplicity, and timeless style, especially when installed in line with the recommendations outlined in this Installation Guide.

This document is intended as a practical guide to support best installation practices. While not exhaustive, it reflects the methods we know work best with our interlocking system.

If you have any questions, our friendly team is here to help.

P: 1300 XXX XXX | www.acreline.com.au



Before You Begin

Whether you are a professional or tackling it yourself, our AcreLine Interlocking Post and Rail System is designed for simple straightforward installation.

Follow these steps carefully to get a beautiful fence for many years to come.

- Detail your property and the site description when ordering materials.
- Check local council fencing regulations.
- Locate underground services before digging. These could be gas, electricity, or water mains.
- Identify your soil type/ground conditions to determine the footing details required.
- Confirm your delivery includes all components and correct rail lengths.
- Gather tools (listed below).

Tools and Safety Gear

Please ensure you have the correct tools and safety gear prior to starting the installation of your new AcreLine Post and Rail Fencing System.

Tools



Tape Measure



Spade Shovel



Hand Rammer



String Line



Spirit Level and Laser Level



Powered Auger
300mm diameter



Saw
powered saw or handsaw



Concrete for gate posts
(optional)

Safety Equipment



Safety Boots



Gloves



Helmet



Eye Protection



Hearing Protection



Sun Protection

Getting Started

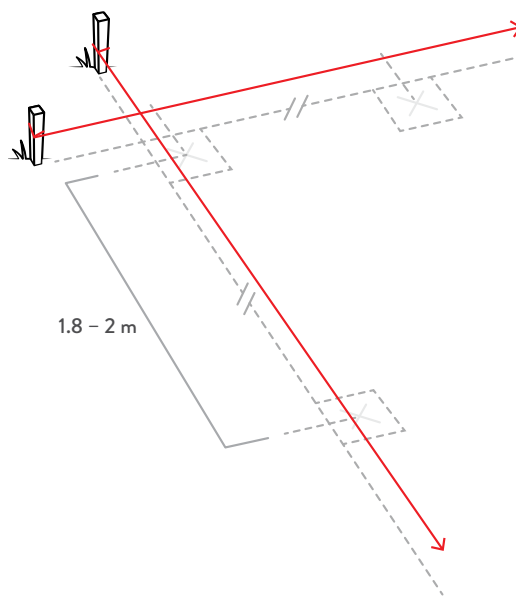
Once you are ready to start installing your Post and Rail Fencing System, pay particular attention to all in this Installation Guide to ensure satisfactory long-term performance.

STEP 1: Mark Out Your Fence Line

- Determine any legal boundaries and/or underground services.
- Mark the full fence run using pegs and a string line.
- Check alignment with a laser or builder's line.
- Mark post centres at your rail length (typically 1.8m–2.0m).
- Adjust spacing on end sections as needed.

Marking out your post holes

Post centres will be subject to rail length supplied.
E.g., 1.8m rail will have approximately 1.9m post centre.

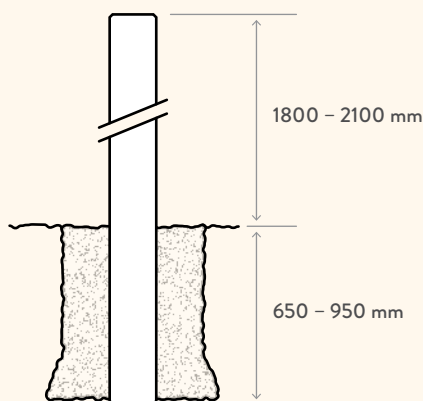


STEP 2: Dig Your Post Holes

Post Hole Dimensions:

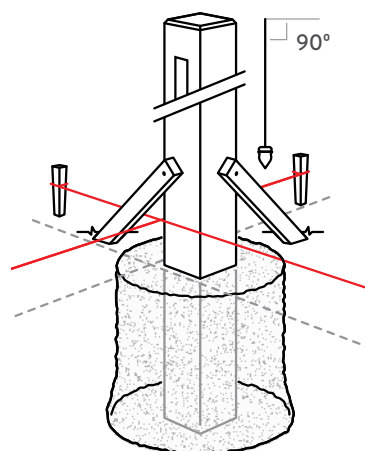
Post Size	Hole Diameter	2-Rail Depth	3/4-Rail Depth
125 x 125mm	300mm	500–600mm	600–700mm
150 x 150mm	350mm	500–600mm	600–700mm
200 x 200mm	400mm	600–700mm	700–800mm

Holes should be plumb and slightly bell-shaped at the base.
Use concrete if soil is soft or loose.



STEP 3: Set the Posts

- Set the first post and check for plumb. Set the height carefully using a tape measure.
- A little at a time, backfill the hole and compact soil in layers. Pack the soil tight around the post with a hand-hammer.
- Using your level, check to ensure the post is plumb and ensure the post remains square to the fence line. Stake angled supports in place to keep it vertical.
- Pour in concrete and add water, ensuring to mix thoroughly
- Repeat from the start for all posts, checking the height as you work down the line.
- Install rails as you go (see Step 4). It is best practice to place the rail in after each post is made firm.
- Maintain consistent post heights with a string or laser line. Ensure you maintain a good visual line along the top of the fence, following the contours of the land and curves in the fence line.



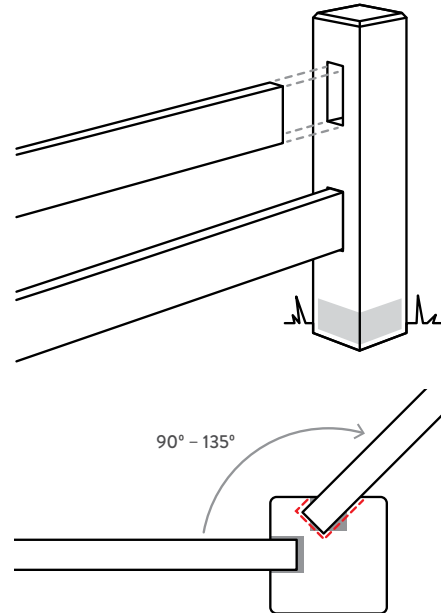
Tip: For sloping ground, step, or stagger post heights to match the terrain.

STEP 4: Insert the Rails

- As mentioned in Step 3, each rail should be slid into place once the post is installed. This can be done by slotting the rail into the mortised post.
- Insert the opposite end into the next post before securing.
- For undulating or curved fence lines, the rails may need to be held in place while each post is made firm.
- For large-size posts with partial mortises (250x250mm & larger) the rails will need to be installed along with every post.
- Trim rail ends if needed for a snug fit and use a screw under the rail for added stability (if required).

Angled Posts

The AcreLine Post and Rail Fencing System can easily be angled to lead into an entranceway. A chainsaw will be required to alter the post and the rail slightly to achieve a tidy fit.



Notes:

If installing a gate alongside your Post and Rail Fencing System, any gate posts should be concreted in place and braced until the concrete is dry. In some situations, especially where animals are contained, it may be a good idea to concrete all the posts.

Fence Maintenance

Inspect annually for rail movement or damage.

- Keep vegetation trimmed back.
- Reapply timber oil or stain periodically.
- Seal Cypress posts at ground level to prolong life.





Need Help?

We are here to support your project every step of the way. Contact the AcreLine team for expert advice and support.

Based in Brisbane | Delivering Australia-wide

Disclaimer

This guide is intended as a general reference only. Every site, soil type, and installation environment are unique, and it is the responsibility of the installer to assess suitability and comply with local conditions and regulations. Any installation, including the use of tools or machinery, must be conducted safely, and in accordance with Australian WHS standards. All users of power equipment must be trained and wear appropriate personal protective gear. AcreLine takes no responsibility for damage, injury, or faulty installation resulting from the improper handling or application of its products.



Acreline Headquarters

15 Boron Street
Sumner, QLD, 4074

Phone: 0468 605 827

Email: info@acrelines.com.au

Web: acrelines.com.au